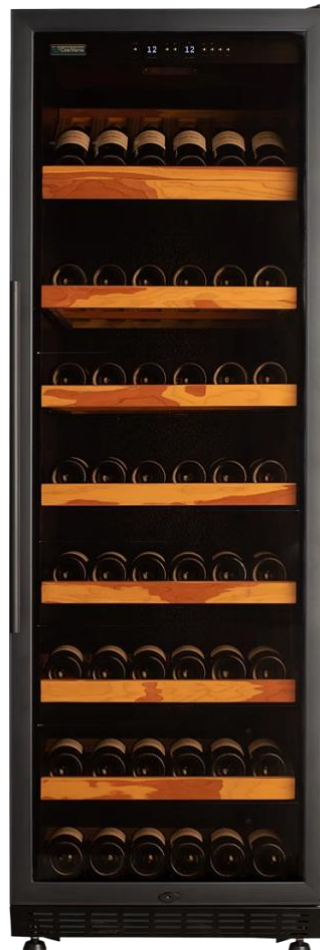




Below you will find the explanation of the wine storage cabinet



This storage cabinet has a capacity of maximum 200 bottles (based on the most sold bottle – Bordeaux size) and has the following dimensions.

Height	1800mm
Width	595mm
Depth	720mm

Remark:

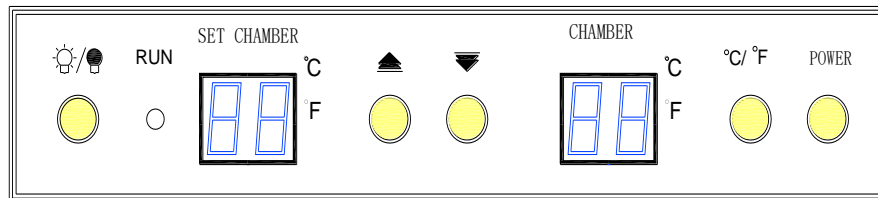
One should be aware of enough ventilation on the back of the climate cabinet in order to dissipate the heat.

As the door has the exact same dimensions as the cabinet, the door will protrude approx. 5mm when the door is opened 45 degrees. If you open the more than 45 degrees, this protrude will disappear. Please be aware of that if building in the cabinets (no special accessories or tools are required)

The door can be opened more than 200 degrees. The ventilation grille at the front is used to draw in "fresh air" (which is created when the warm air at the rear rises - it creates a suction effect).



Display



Remarks:

This display can vary from the one you have as this manual is for more wine storage cabinets.

Explanation of the display:

- Light: interior lighting (you can switch it on/off yourself)
- Run: is the compressor light. If green, the compressor is running to cool.
- SET CHAMBER: here you can set your desired temperature.
- CHAMBER: the real temperature in the storage cabinet
- ▲ (+) of ▼ (-) : control buttons for setting the desired temperature
- °C/°F : temperature indication indication in C (Celsius) or F (Fahrenheit)
- Power: on/off switch

How to operate:

Changing of the temperature:

Press ones ▲ (+) or ones ▼ (-) and the display will be flickering so you can see the set temperature. By pressing again ▲ (+)▼ (-) you can change the setting. The number on the display is constant and will be stored in memory. If no change in temperature occurs within a few seconds, the storage cabinet will show the current (interior) temperature in the display. The storage cabinet will then start cooling (this may take a few minutes before the command is activated).

- *Cooling*: If the temperature is higher than 1°C above the set temperature, the compressor will start and the “cool” indicator light will light up. The climate chamber will cool down to 1°C below the set temperature



Changing of the temperature on the display:

The climate cabinet is constantly correcting itself, with the sensor (there are two inside) constantly indicating whether additional cooling is required or additional heating is required. This can also be seen on the display. The display will regularly "jump" and a difference of a few degrees is normal (this is the temperature that the sensor is currently detecting and has absolutely no influence on the wine).

If you change the setting, the climate cabinet will then immediately return to the actual temperature and the climate cabinet will first "think what should happen" this action can take a few minutes before action is taken. The action itself also takes a while (this time depends on the difference between the current and set temperature: if the difference is small, the action itself will also take a limited time and, of course, vice versa).

The storage cabinet will always cool 1 degree extra to prevent the compressor from operating constantly.

For example, if you have set 12 degrees, the storage cabinet will start cooling from 13 degrees and will cool to 11 degrees and because the cold element is getting cold even the 10 degrees can be indicated for a short while. After that, the temperature will slowly go up to 13 degrees and then start cooling again.

Remark:

If the climate cabinet starts to cool, you can also see this on the display. On the left side of the display you will see a small light that shows RUN. When the storage cabinet cools, this light will turn green. If the storage cabinet does not cool, this light will not illuminate.

The indication CHAMBER; shows the real temperature inside the cabinet and is approximately the same as the SET CHAMBER. Because the storage cabinet constantly corrects itself, you can see that on the screen.

Once again, that is very normal and has absolutely no effect on the wine because it concerns a snapshot of the sensor. It is true that if the difference is large between the set temperature and the ambient temperature (the room in which the storage cabinet is placed), the compressor will start more often.



Temperature settings:

You determine which temperature you set; however, we always recommend not to go lower than 6 degrees. If you set the temperature to 5 degrees, the bottom will be approximately 4 degrees (see explanation underneath).

Cold air is heavier than warm air (natural phenomenon) and that means the following; If the compressor is running, cold will be produced in the storage cabinet. Because cold air is heavier, it may be slightly colder at the bottom of the storage chamber than at the top of the climate chamber.

To change the position of the shelves:

The climate cabinet can be provided with different shelves.

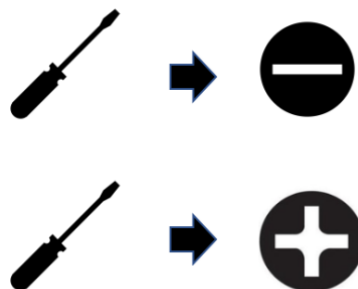
The most common shelves are the shelves below:

- The sliding shelf
- The storage shelf



What do you need for changing the shelves:

- Phillips screw driver
- Flat head screw driver





Disassembling / Assembling of the storage shelf:

Disassemble:

Disassemble the shelf by removing the shelf (if it is stuck with four (4) black strips - these straps are only for transport purposes so you can them out as well. Then push the brackets (4 pieces) upwards.



Assembling:

First check on which level you want to mount the shelf. Then use a flat screwdriver to “open” the corresponding holes (the elongated slots on the front) by pushing down with the screwdriver. Take a bracket and push it down (in two holes). After mounting the 4 brackets, place the shelf.

If the shelf is to be placed horizontally, apply the brackets at the same height (front and rear) and turn the shelf over (the upright front edge is then directed downwards). This increases the capacity (i.e. amount of bottles) on that shelf.

TIP 1:

If the storage tray is placed at an angle (at the top), it can display the bottles that may be seen (at eye level). By turning on the light you give even more "attention value" to the bottle in question. That storage tray placed at an angle (at the top) can handle 6 + 5 (neck forward and “hanging” between the neck of the other bottles) bottles (0.75l). This shelf is slanted so that the labels become clearly visible - and to place the bottles that have not been completely drunk and can then rest for a while. You may have already seen it, but this sloping platform can already handle 11 bottles (0.75l). You can also simply stack on the first top sliding shelf, behind the sloping shelf, to make optimal use of the capacities.

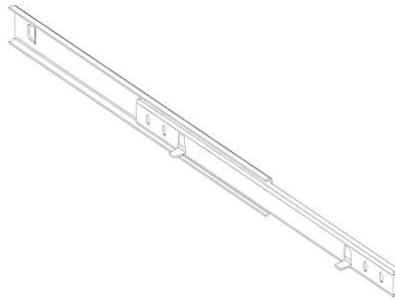
This shelf can also be taken out, so that bottles – placed on the shelf below – can be stored vertically / upright (mainly for restaurants).



Disassembling / Assembling of the sliding shelf:

Disassembling:

Dismantle the shelf by loosening the 4 - cross -screws (bottom underneath the shelf) and remove the shelf. Then push the front of the ball bearing railing up and then pull it towards you.



Assembling:

First check on which level you want to mount the shelf. Then use a flat screwdriver to 'open a little' the holes in question (at the front down, largest hole, and at the rear to the back)

Take a railing (look carefully for which side it is - protrusion for the screws facing down) and press it firmly in first at the back (push back) and then at the front (push down).

Then place the shelf (elevation at the front) on the railing and mount the platform using the 4 – cross -screws.

TIP 2: if you want to place many shelves one below the other, it is easiest to start at the top and then work down (due to the limited space between the shelves for a screwdriver).

TIP 3: If you prefer a sliding shelf at the top, you can also exchange the storage shelf with the bottom sliding shelf. This gives you a sliding shelf at the top and a storage shelf at the bottom.

We wish you a lot of pleasure with your storage cabinet.

!