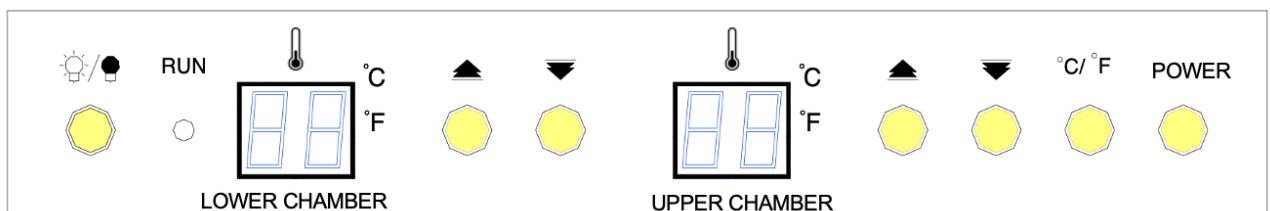




Below you will find the explanation of the wine climate cabinet
Advice to read it at a quiet moment.



The cooling element is placed on the bottom of the wine climate cabinet and the heating element is placed in the top of the wine climate cabinet. This means that, when the cabinet is operating, first lower part will cooled and it will slowly move upwards. The heating element is situated in the upper part and will operate when the temperature will be below the set temperature.



Remarks:

This display can vary from the one you have as this manual is for both wine climate cabinets (multiple zones) and wine storage cabinets (one temperature zone).



Changing of the temperature on the display:

The climate cabinet is constantly correcting itself, with the sensor (there are two inside) constantly indicating whether additional cooling is required or additional heating is required. This can also be seen on the display. The display will regularly "jump" and a difference of a few degrees is normal (this is the temperature that the sensor is currently detecting and has absolutely no influence on the wine).

If you change the setting, the climate cabinet will then immediately return to the actual temperature and the climate cabinet will first "think what should happen" this action can take a few minutes before action is taken. The action itself also takes a while (this time depends on the difference between the current and set temperature: if the difference is small, the action itself will also take a limited time and, of course, vice versa).

The climate cabinet will always heat or cool 1 degree extra to prevent the compressor and heating element from operating constantly.

For example, if you have set 16 degrees, the climate cabinet will heat up to 17 degrees (after which it stops and you can hear because you hear a small "click"), but then the part where the heating is located will still be warm so it can occur that the sensor will indicate 18 or perhaps even 19 (or higher) degrees, after that, the temperature will drop again.

The same with cooling; if you have set 8 degrees, the climate cabinet will cool to 7 degrees and because the cold element is getting cold even the 5/6 degrees will be indicated. After that, the temperature will slowly go up to 9 degrees and then start cooling again.

If the climate cabinet starts to cool, you can also see this on the display. On the left side of the display you will see a small light that shows RUN. When the climate cabinet cools, this light will turn green. If the climate cabinet does not cool, this light will not illuminate. If the upper zone needs to be reheated, this will have an effect on the lower zone (will also become a little warmer), which will cause this zone to cool down and have an effect on the upper zone.

If you want the upper zone to be cooler, enough cold must be created below. This means that the lower zone must then be set colder (the cooling element is only at the bottom and the heating element at the top).

Because the climate cabinet constantly corrects itself, you can see that on the screen.

Once again; that is very normal and has absolutely no effect on the wine because it concerns a snapshot of the sensor. It is true that if the difference is large between the two zones, the compressor will start more often. If you set the upper zone colder, you will notice that the heating element no longer works and will switch on less quickly.



Temperature settings:

You determine which temperatures you set, however, we always recommend a maximum difference of approx. 9 degrees between the two zones, whereby the cold part can be set for example at 7/8 degrees and the less cold part (at the top) at approx. 17 degrees, which are very nice serving temperatures for both white and red. Approximately 90% of our customers maintain this setting, so that the wine is always at the same temperature (winter and summer) and can be served immediately. Of course depending on your wishes!

We do, however, recommend that the temperature differences between the two zones are not too small (for optimum use, the difference should be at least 4 degrees), but also not too large (maximum about 9 degrees).

Because of two temperature zones and 1 compartment, you actually also create a kind of extra zone. This is the part where the two temperatures "collide" with each other if the above temperatures are set, this "extra zone" is approx. 12/14 degrees - which is a very nice temperature for storing wines for a longer period and is located approximately halfway (depending on the setting) up the climate cabinet, so in principle you create one extra zone with a climate cabinet of 1 compartment with 2 zones, which is very efficient.

Another advantage of a 1 compartment climate cabinet (compared to a double compartment = separate temperature zones) is that you determine the settings and therefore also the capacities. For example, if you want to set the entire climate cabinet a bit "warmer" to store more red wine, then set the temperatures a little higher. Or the other way around for the white, sparkling or rosé wines if you wish in the summer for example.

For storing wine in itself it does not matter much at what temperature the wine is, as long as this temperature is constant. Fluctuations in temperature can strongly influence a natural product such as wine.

To change the position of the shelves:

The climate cabinet can be provided with different shelves.

The most common shelves are the shelves below:

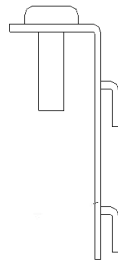
- The sliding shelf
- The storage shelf



Disassembling / Assembling of the storage shelf:

Disassemble:

Disassemble the shelf by removing the shelf (if it is stuck with four (4) black strips - these straps are only for transport purposes so you can them out as well. Then push the brackets (4 pieces) upwards.



Assembling:

First check on which level you want to mount the shelf. Then use a flat screwdriver to “open” the corresponding holes (the elongated slots on the front) by pushing down with the screwdriver. Take a bracket and push it down (in two holes). After mounting the 4 brackets, place the shelf.

If the shelf is to be placed horizontally, apply the brackets at the same height (front and rear) and turn the shelf over (the upright front edge is then directed downwards). This increases the capacity (i.e. amount of bottles) on that shelf.

TIP 1: the storage shelf placed at an angle (at the top) can handle 6 + 5 (neck forward and “hang” between the neck of the other bottles) bottles (0.75l).

The storage shelf to be placed under an angle; so the labels of the bottles will be nicely visible and for storing the bottle - which has been opened - for drinking it at a later time. Also, very easy to lay it horizontal in order to have more capacity.

This shelf can also be taken out, so that bottles – placed on the shelf below – can be stored vertically / upright (mainly for restaurants).

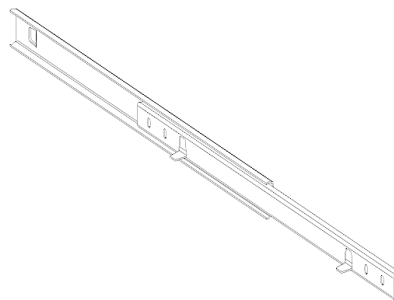
Sliding shelves plateaus: see next page



Disassembling / Assembling of the sliding shelf:

Disassembling:

Dismantle the shelf by loosening the 4 - cross -screws (bottom underneath the shelf) and remove the shelf. Then push the front of the ball bearing railing up and then pull it towards you.



Assembling:

First check on which level you want to mount the shelf. Then use a flat screwdriver to 'open a little' the holes in question (at the front down, largest hole, and at the rear to the back)

Take a railing (look carefully for which side it is - protrusion for the screws facing down) and press it firmly in first at the back (push back) and then at the front (push down).

Then place the shelf (elevation at the front) on the railing and mount the platform using the 4 – cross -screws.

TIP 2: if you want to place many shelves one below the other, it is easiest to start at the top and then work down (due to the limited space between the shelves for a screwdriver).

TIP 3: If you prefer a sliding shelf at the top, you can also exchange the storage shelf with the bottom sliding shelf. This gives you a sliding shelf at the top and a storage shelf at the bottom.

We wish you a lot of pleasure with your climate cabinet.